

1

2

3

4

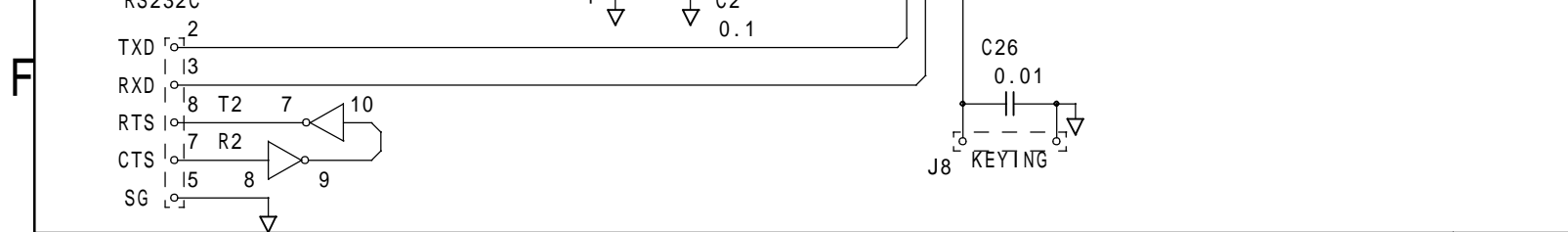
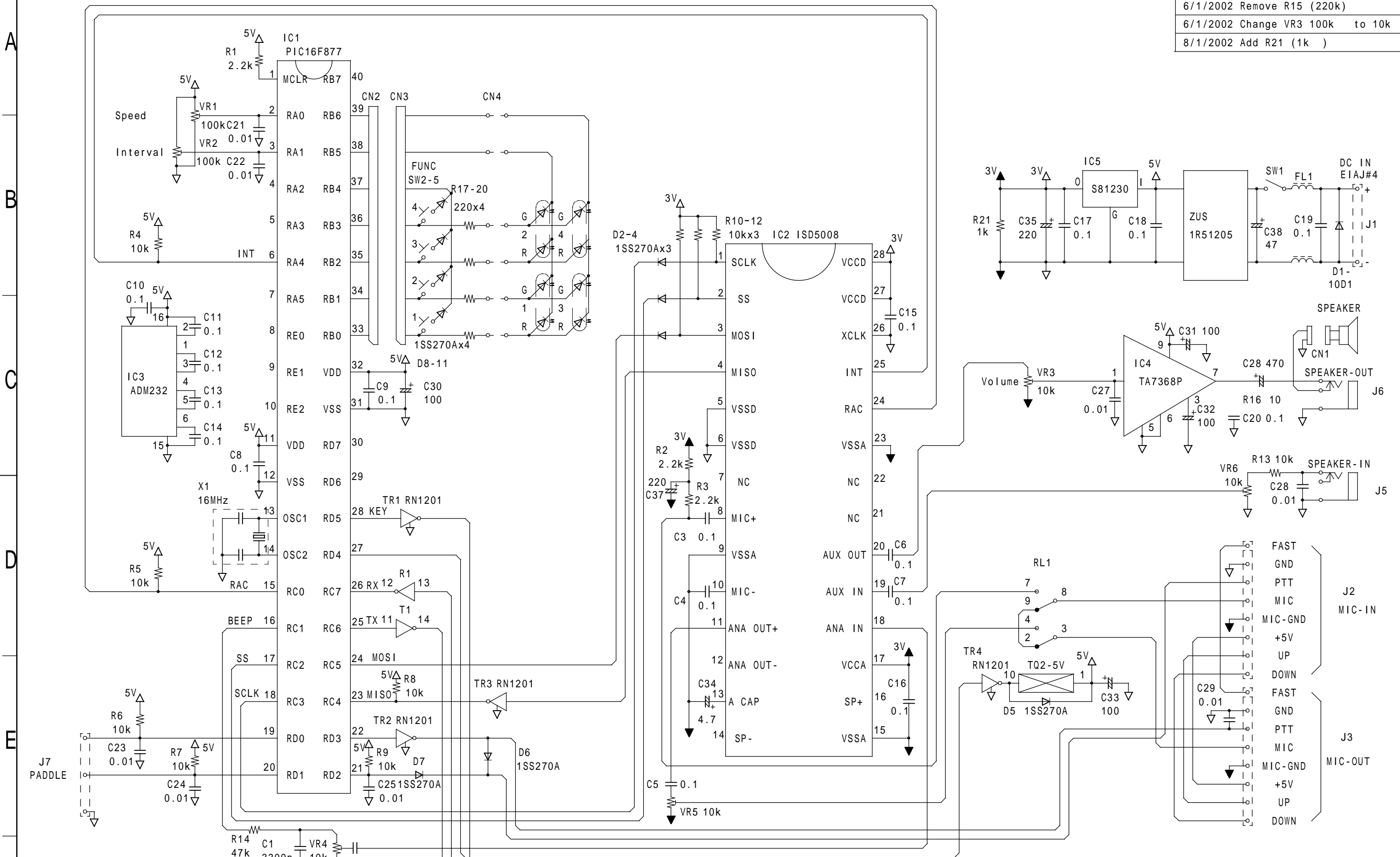
5

6

7

8

REV LTR	REVISIONS	APPD
6/1/2002	Remove R15 (220k)	
6/1/2002	Change VR3 100k to 10k	
8/1/2002	Add R21 (1k)	



APPROVED	DATE	TITLE	SHEET NO.
DESIGNED DRAWN	Aug 2002	VOICE2001 Rev.A	1 / 1
CHECKED	SCALE	Circuit Diagram	DRAWING NO.
A 4		V O I C E 2 0 0 1 - A	
GEJIGEJI-Club J01YGK			